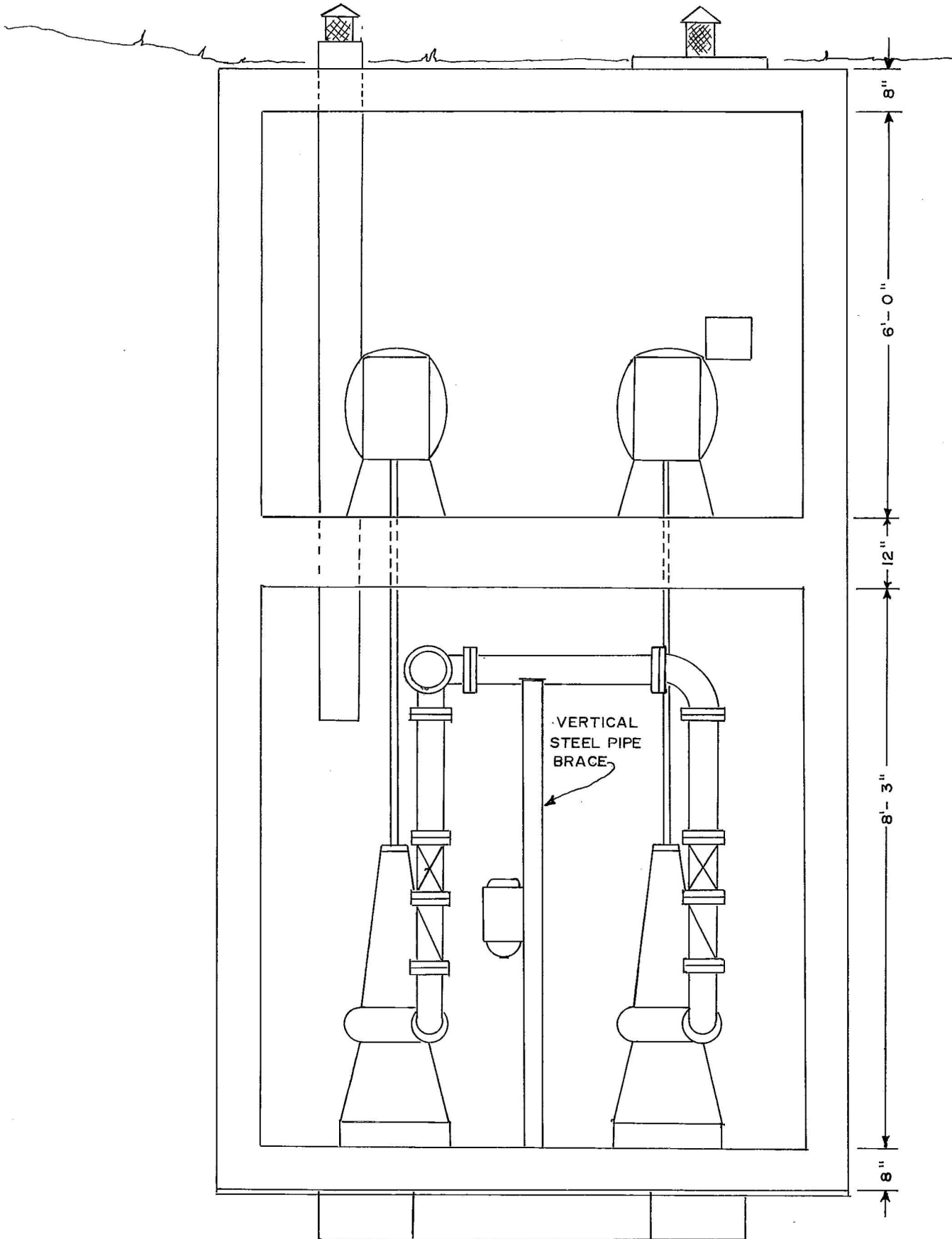


UGANDA - McNAUGHTON PUMP STATION

SECTION C-C

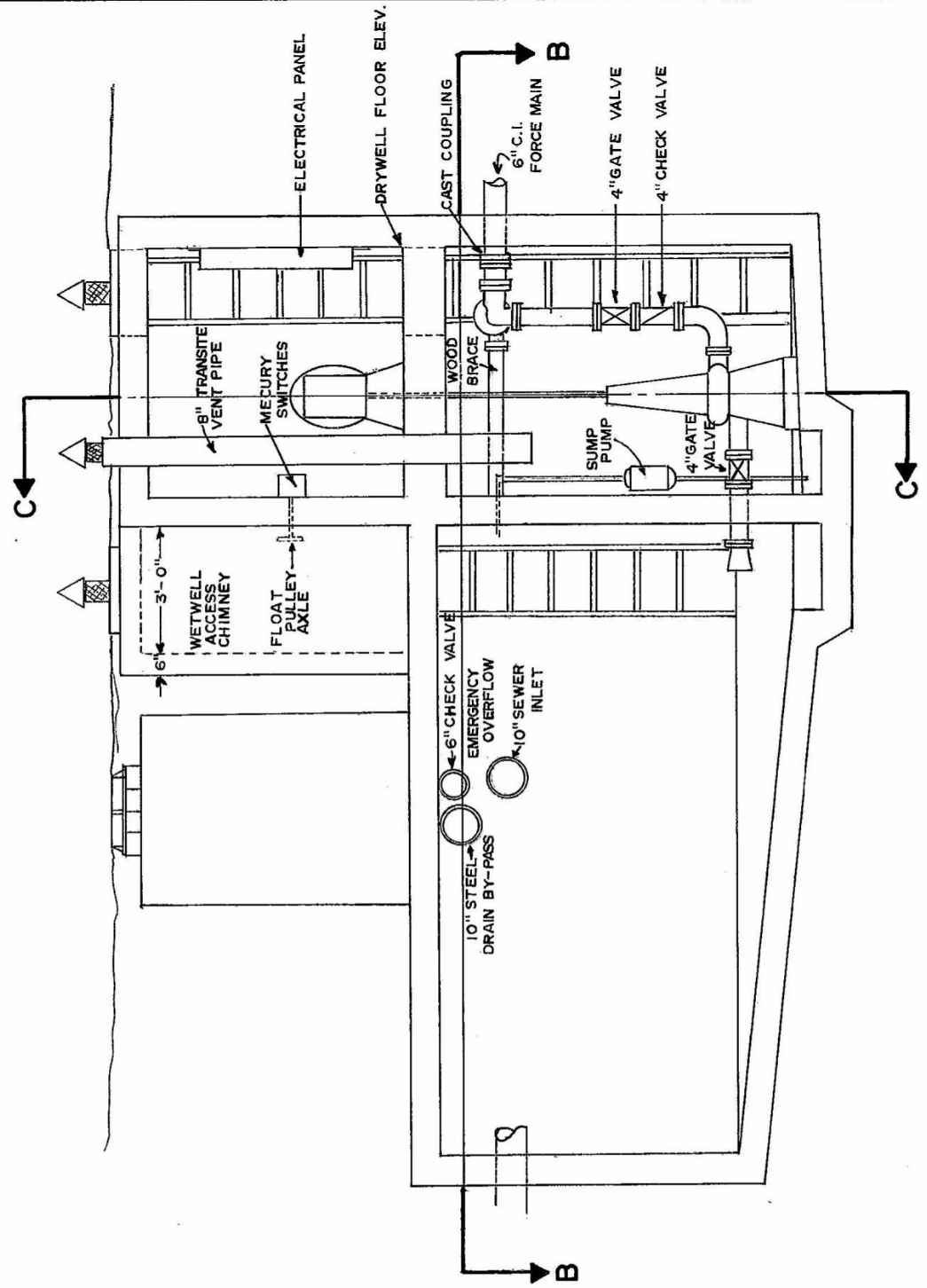
Scale 1/2" = 1'-0"



UGANDA - McNAUGHTON PUMP STATION

ELEVATION SECTION A - A

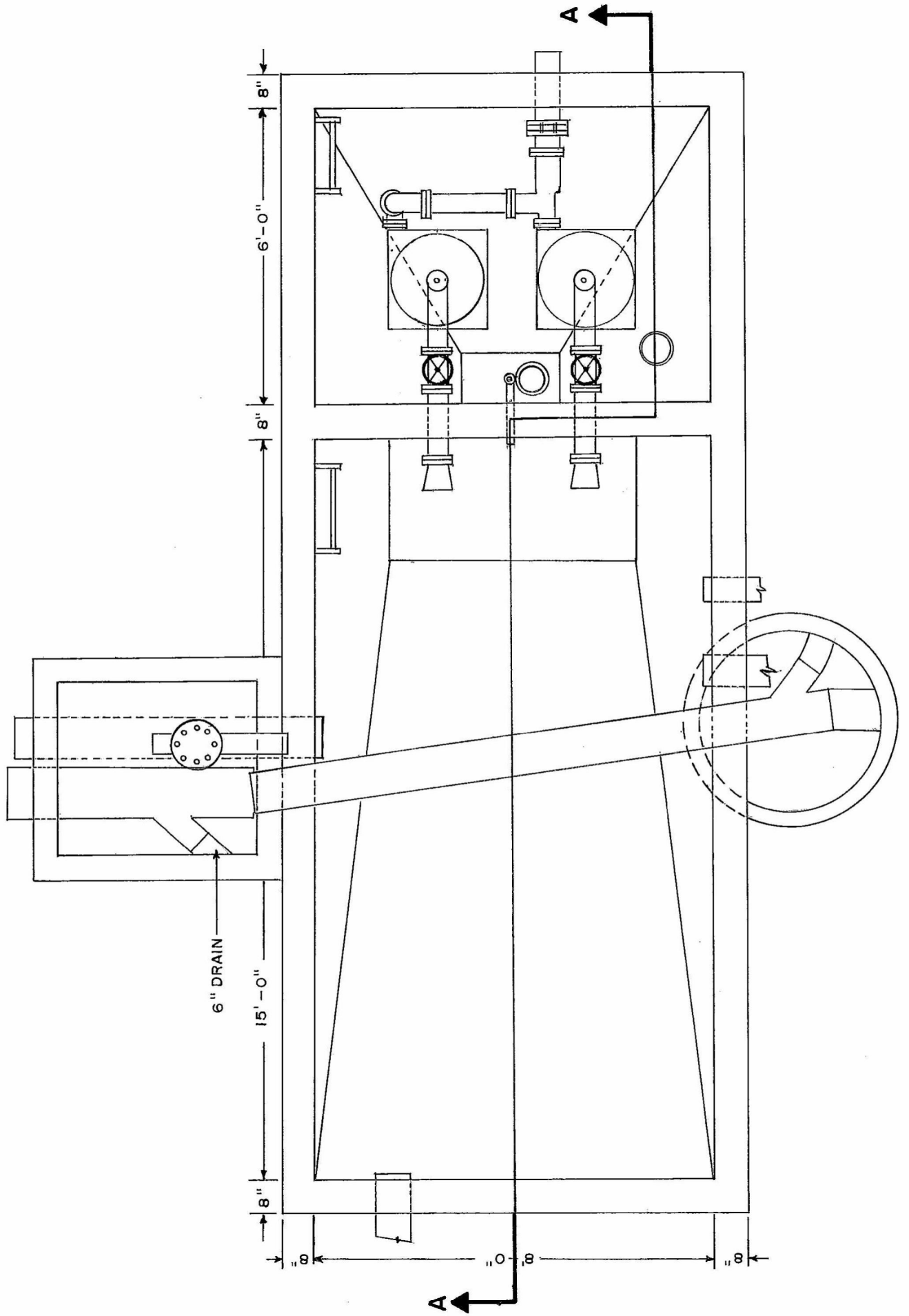
Scale 1/4" = 1'-0"

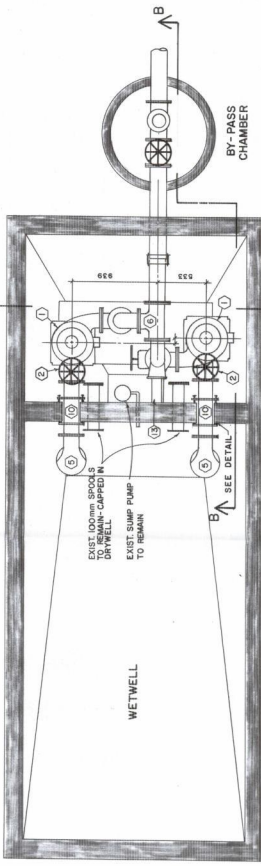


UGANDA - McNAUGHTON PUMP STATION

SECTION B-B

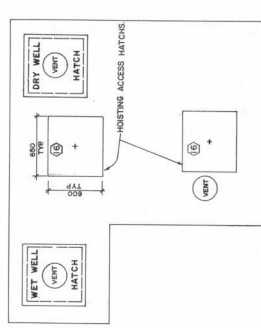
Scale 3/8" = 1'-0"



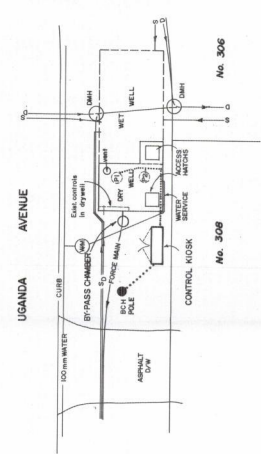


SECTION AA: PLAN VIEW - NEW PUMPS
1:25

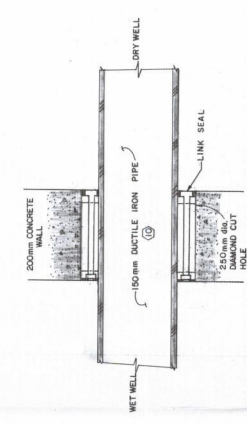
MATERIALS LIST			
NO.	QTY	DESCRIPTION	SUPPLIER
1	2	20HP HYDROMATIC SEWAGE PUMP MODEL RYGA	MUNICIPALITY
2	5	150mm, T x T, GATE VALVE 0W RESILIENT SEAT	"
3	2	150mm, T x T, CHECK VALVE 1/2" OUTSIDE LEVER B	"
4	3	150mm, T x T, 90° ELBOW	"
4(0)	1	150mm, T x T, 90° BASE ELBOW	"
5	2	150mm, F x BELL WOUTH CASTING - 90° STYLE	"
6	2	150mm x 100mm x 100mm, T x T x T, TEE	"
7	1	150mm x 100mm x 100mm, T x T, TAPER REDUCER	"
8	1	150mm, T x T, GATE VALVE 0W RESILIENT SEAT	"
9	1	150mm, T x T, GATE VALVE 0W RESILIENT SEAT	"
10	2	150mm DUCTILE IRON PIPE 1/2" LINK - SEAL FLANGE (approx. length 600mm)	CONTRACTOR
11	3	150mm COUPLING - DI to CI	"
12	1	100mm x 100mm (nom) TREATED WOOD BRACE	"
13	1	PIPE HANGER & CONCRETE ANCHOR (size for 300kg wt)	"
14	2	PRECAST 1000mm MH BARRELS, LID, CI FRAME & COVER, 1/2" ALUM. RINGS @ 300mm O.C.	"
15	1	LOCKABLE ACCESS COVERS 600mm x 650mm CLEAR OPENING (similar to existing without vents)	"
16	2	UNIFLANGE - USED ON ALL DUCTILE & CAST IRON PIPE ENDS	"
17	13	PIPE ENDS	"



ROOF PLAN
1:25



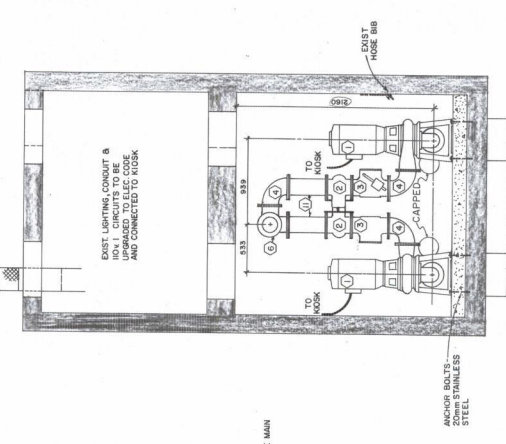
SITE PLAN
SCALE: 1:100



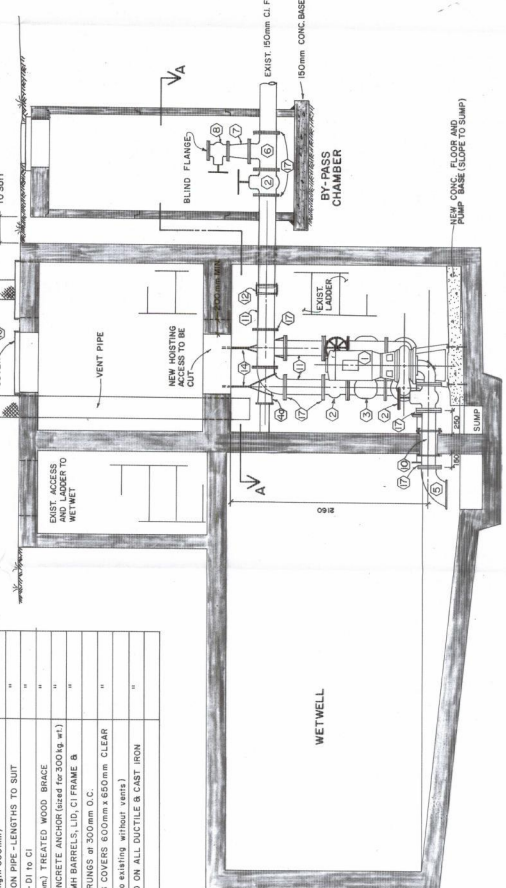
DETAIL: PIPE THROUGH WALL
1:5

NOTES

1. CONTRACTOR SHALL VERIFY ALL PIPE LOCATIONS AND DIMENSIONS PRIOR TO START OF CONSTRUCTION.
2. FOR CLARITY OF NEW CONSTRUCTION ELECTRICAL DUCTS, FIXTURES, CONTROL BOXES WATER PIPING AND OTHER MISC. DETAILS ARE NOT SHOWN ON THIS DRAWING. SEE DRAWING DATED DEC-1974 FOR DETAILS OF EXISTING PUMPHOUSE.
3. BACKFILL AROUND BY-PASS CHAMBER SHALL BE COMPACTED PIT-RUN GRAVEL WITH TOPPING OF 150mm TOP SOIL AND SEED.

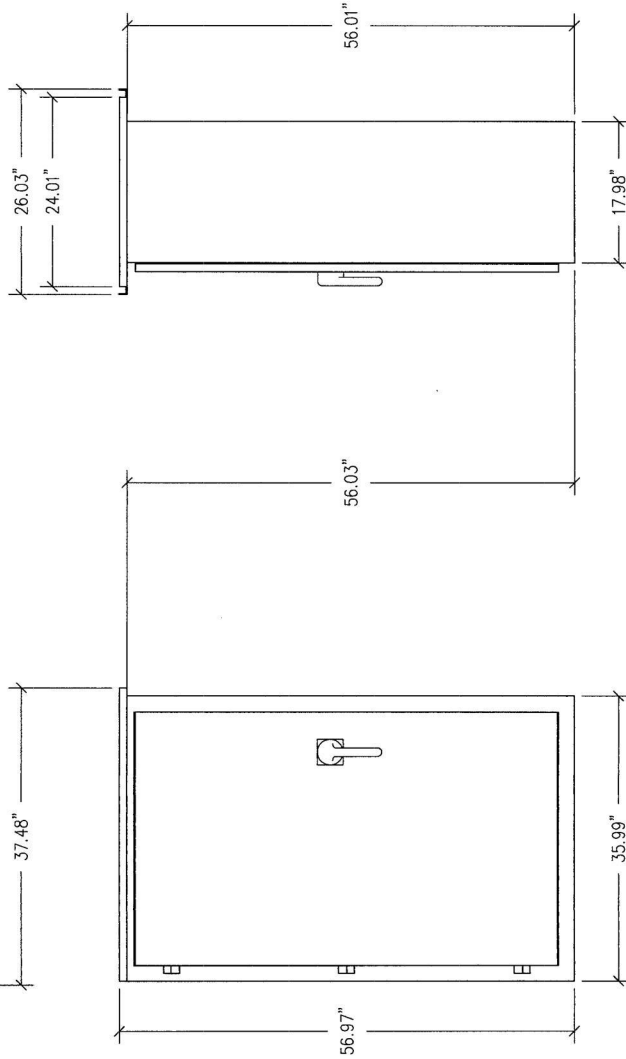
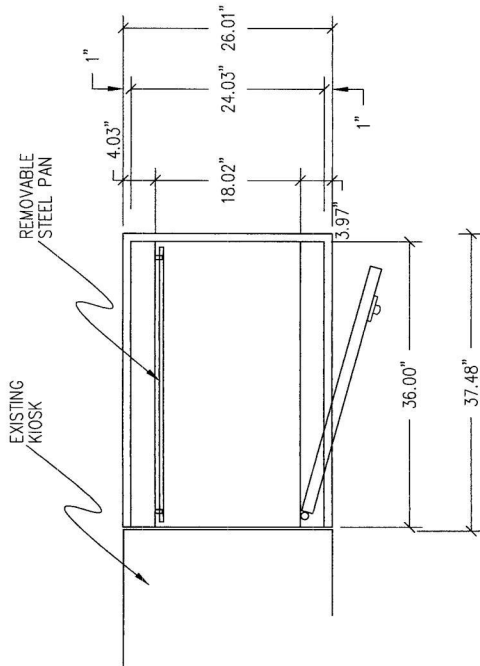
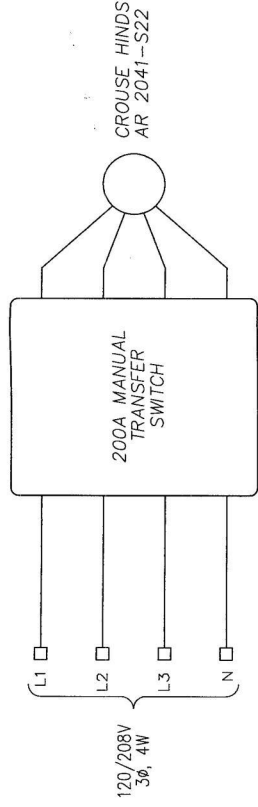


SECTION CC: END ELEVATION - NEW PUMPS
1:25



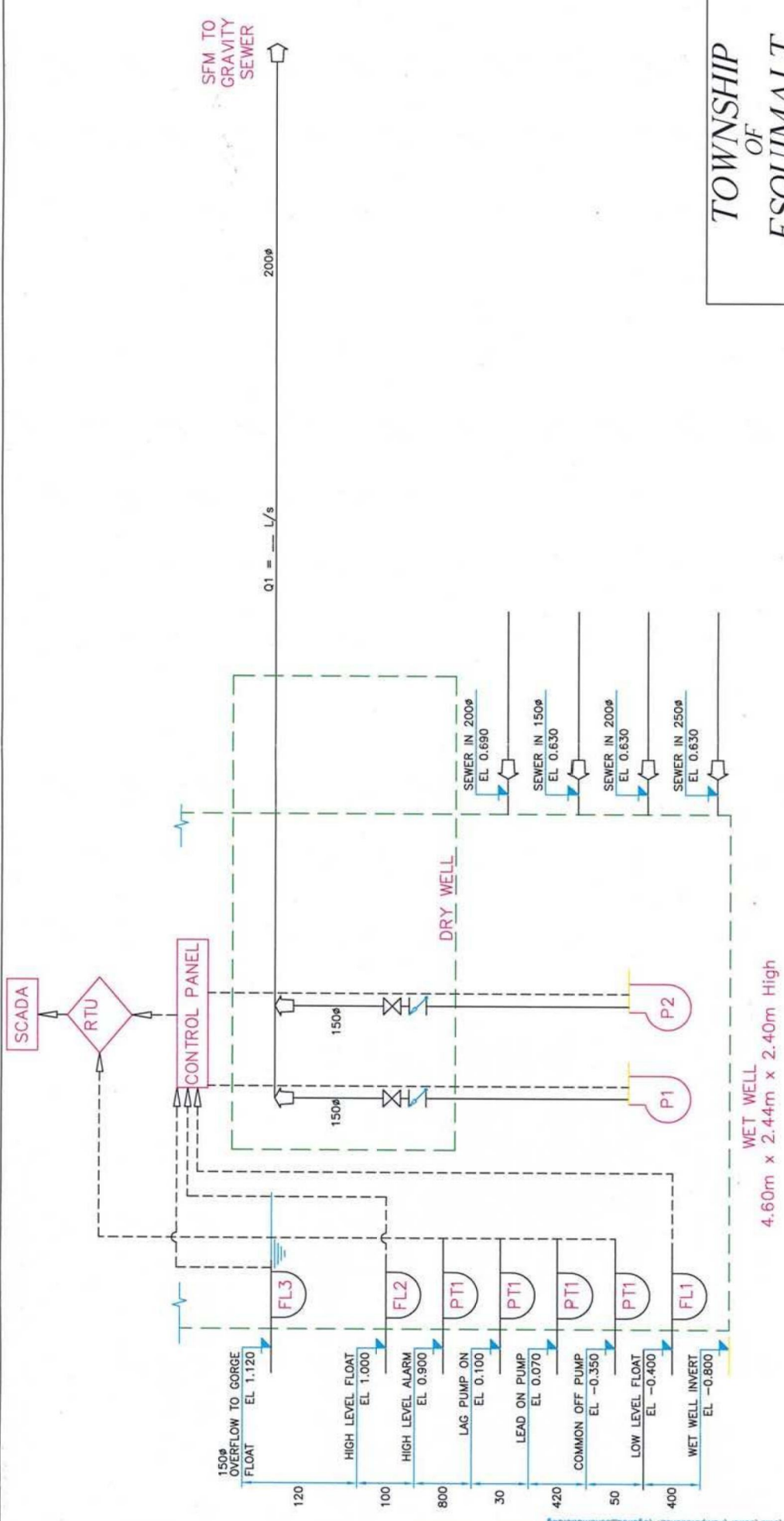
SECTION BB: SIDE ELEVATION - NEW PUMPS
1:25

AK
 ALLIED CONTROLS LIMITED
 CUSTOM ELECTRICAL CONTROL
 PANEL MANUFACTURER
 5 AND 6 AVENUE
 BURNABY, B.C. V5A 3A4
 PH: (604) 420-1630
 FAX: (604) 420-3122
 EMAIL: ACL@TELUUS.NET



ALLIED CONTROLS LIMITED

DATE: JUN. 08/06	APPROVED BY: G.A.V.	DRAWN BY: J.K.
DRAWING SCALE: N.T.S.	WORK ORDER NUMBER: 3898	REV. NUM.: 0
DISTRICT OF ESQUIMALT UGANDA SITE MODIFICATION STEEL & WIRING DIAGRAM		
CUSTOMER: EMERY ELECTRIC		DRAWING NUMBER: 06898-B1551



NOTES

PUMPS - 2 Hydromatic RP6A - P1-9.6" Imp., P2-9.5" Imp. - 20HP 230V-3φ

O/F
 11 May 22, 2007
 11 May 23, 2007

Lead start 4.00
 2.10
 Lag start 5.00
 3.00
 1.50 G 6.00

TOWNSHIP OF ESQUIMALT

PROJECT: UGANDA SEWER PUMP STATION

PROJECT REF. JOB: [Blank]

SHEET TITLE: SCHEMATIC DIAGRAM

DATE	MAY 29 2007	SHEET No.	S-11
SCALE	1:1000		
DRAWN	DW	G.C.	
CHECKED			

